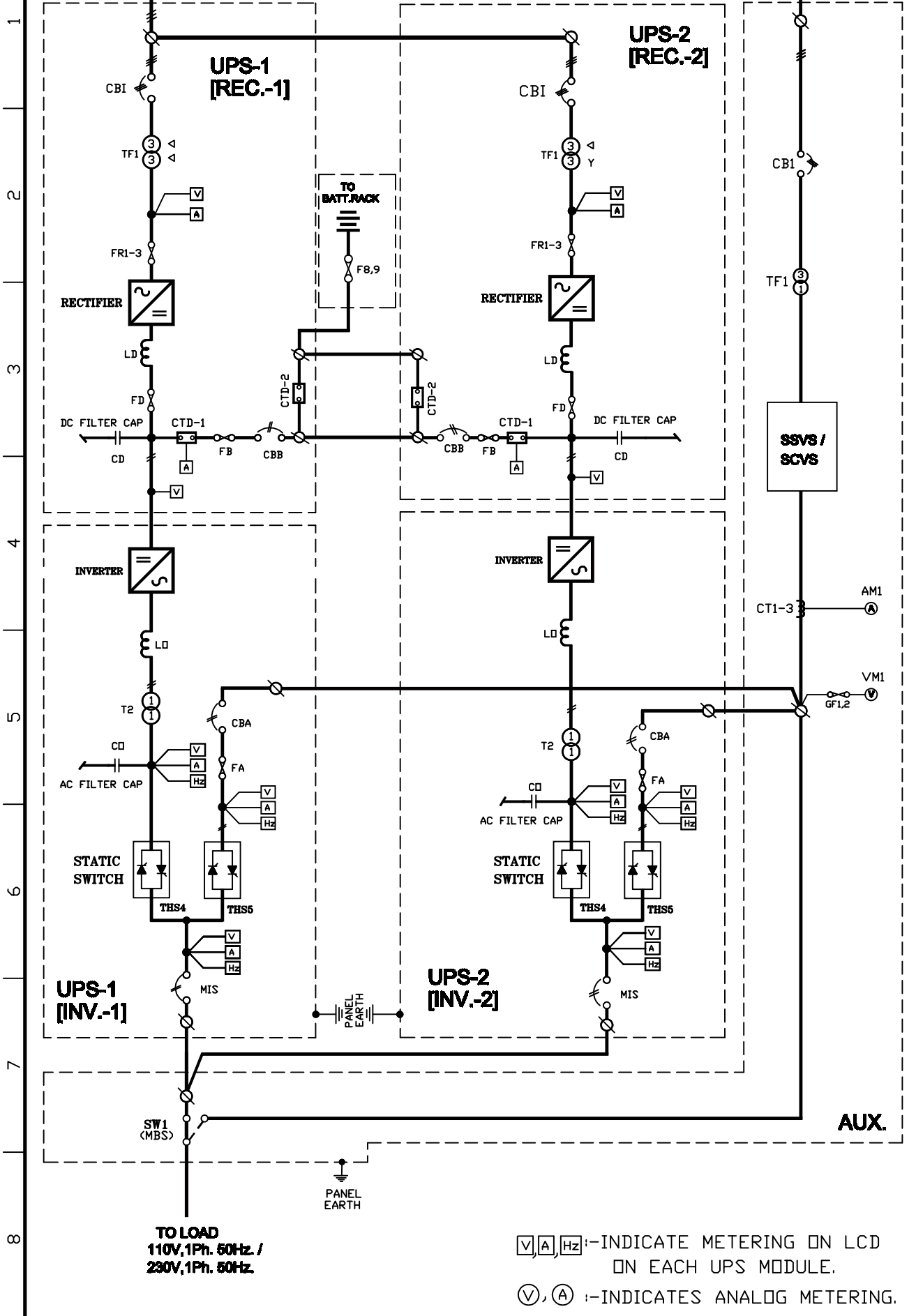


**MAINS INPUT**  
415V,3Ph. 50Hz.

**INPUT ISOLATION  
TRANSFORMER OPTION**

**ALT. INPUT**  
415V,3Ph. 50Hz.



**TO LOAD**  
110V,1Ph. 50Hz. /  
230V,1Ph. 50Hz.

V, A, Hz :-INDICATE METERING ON LCD  
ON EACH UPS MODULE.  
V, A :-INDICATES ANALOG METERING.

**HI-REL ELECTRONICS PVT. LTD.**  
UNIT-2,UPS & POWER CONDITIONING DIVISION  
ALL DIMENSIONS IN M.M.  
DIR. REF. :- ENGG2/

**TITLE:- SINGLE LINE DIAGRAM FOR  
UPS SYSTEM  
( PARALLEL REDUNDANT SYSTEM )  
( ABOVE 40KVA TO 100KVA )**

REV.	DESCRIPTION	DATE	APPRD.	DRN.	APPRD.	TITLE
				JITU	AJP	
		26.04.07	26.04.07	26.04.07	26.04.07	
				SHEET-04 OF 05		
				DRG.ND. 075CSAL01		