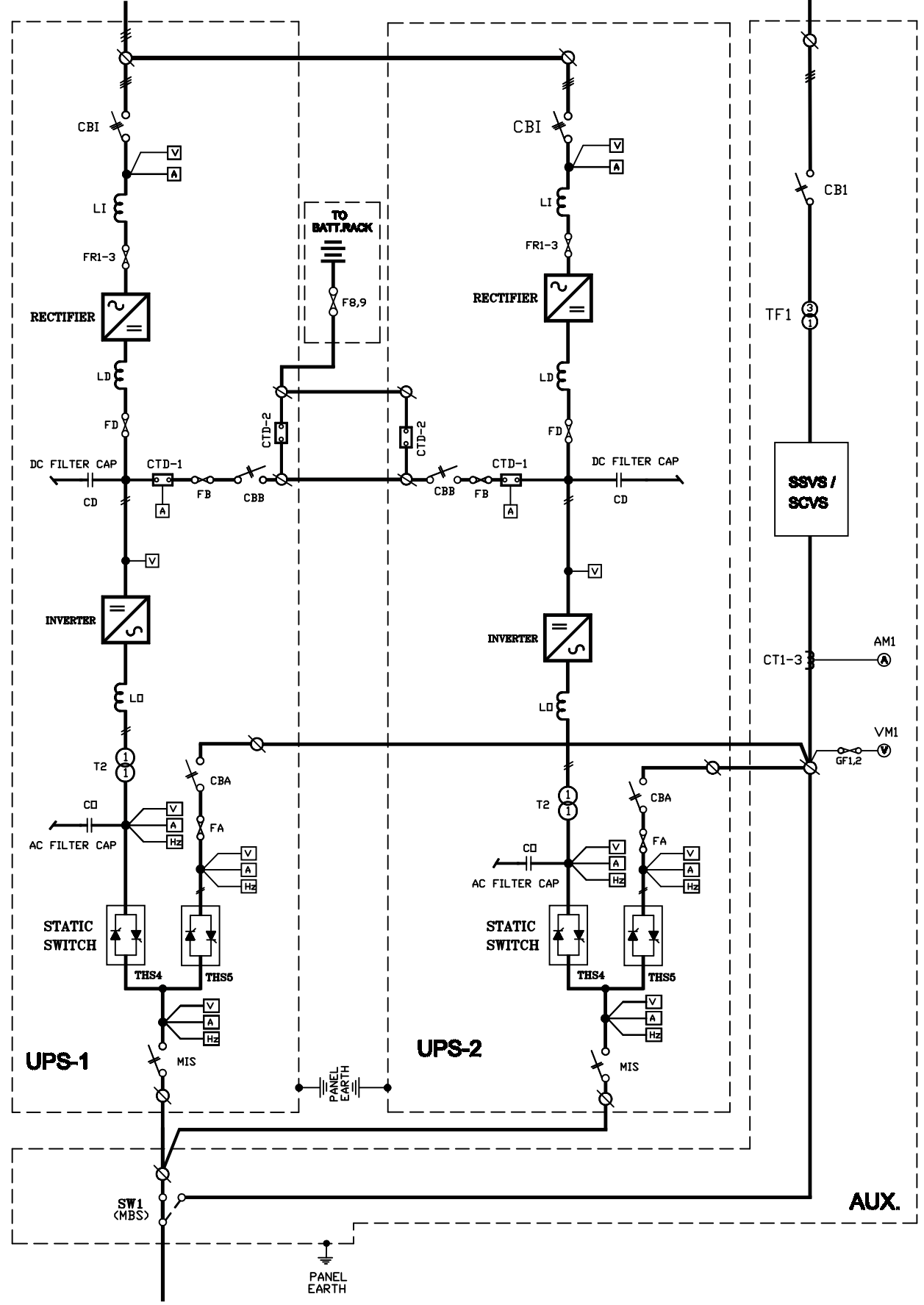


**MAINS INPUT**  
415V,3Ph. 50Hz.

**ALT. INPUT**  
415V,3Ph. 50Hz.



**UPS-1**

**UPS-2**

**AUX.**

**TO LOAD**  
110V,1Ph. 50Hz /  
230V,1Ph. 50Hz.

V, A, Hz :-INDICATE METERING ON LCD  
ON EACH UPS MODULE.  
V, A :-INDICATES ANALOG METERING.

**HI-REL ELECTRONICS PVT. LTD.**  
UNIT-2,UPS & POWER CONDITIONING DIVISION

TITLE:- SINGLE LINE DIAGRAM FOR  
UPS SYSTEM  
( PARALLEL REDUNDANT SYSTEM )  
( UP TO 40KVA )

REV.	DESCRIPTION	DATE	APPRD.	DRN.	APPRD.	TITLE
				JITU	AJP	
		23.04.07	23.04.07	23.04.07	23.04.07	
				SHEET-05 OF 05		
				DRG.ND. 075CSALL00		
				REV. 0		
				DIR. REF. :- ENGG2/		
				ALL DIMENSIONS IN M.M.		

