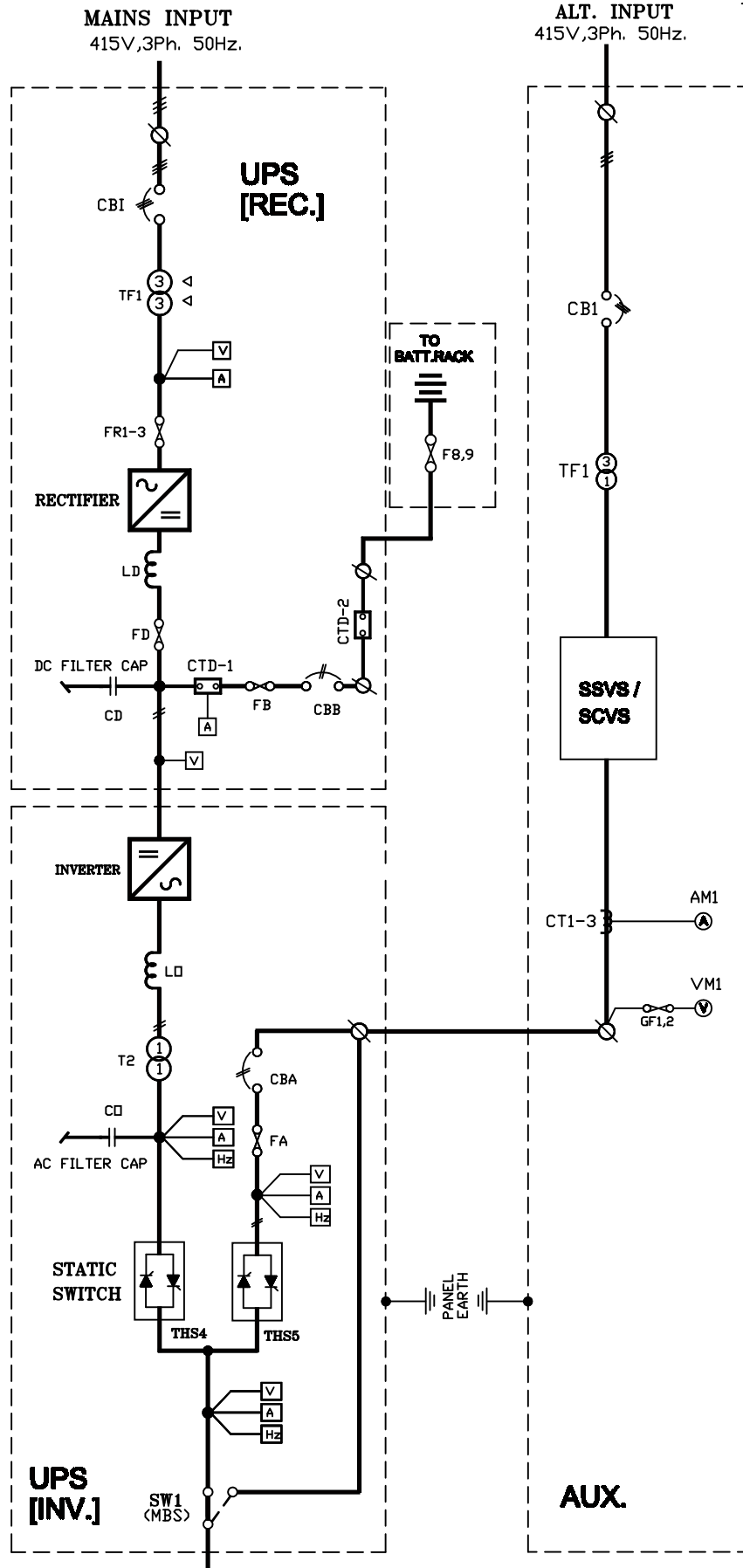


INPUT ISOLATION
TRANSFORMER OPTION



TO LOAD
110V, 1Ph, 50Hz /
230V, 1Ph, 50Hz.

V A Hz :- INDICATE METERING ON LCD
ON EACH UPS MODULE.
V, A :- INDICATES ANALOG METERING.

REV.	DESCRIPTION	DATE	APPRD.	DRN.	APPRD.	TITLE:- SINGLE LINE DIAGRAM FOR UPS SYSTEM (STAND ALONE SYSTEM) (ABOVE 40KVA TO 100KVA)
0				JITU	AJP	
0				26.04.07	26.04.07	
0				SHEET-04 OF 05	DRG.ND. 075CSAL01	
REV. RECORD						

HI-REL ELECTRONICS PVT. LTD.
UNIT-2, UPS & POWER CONDITIONING DIVISION

ALL DIMENSIONS IN M.M.
DIR. REF. :- ENGG2/

