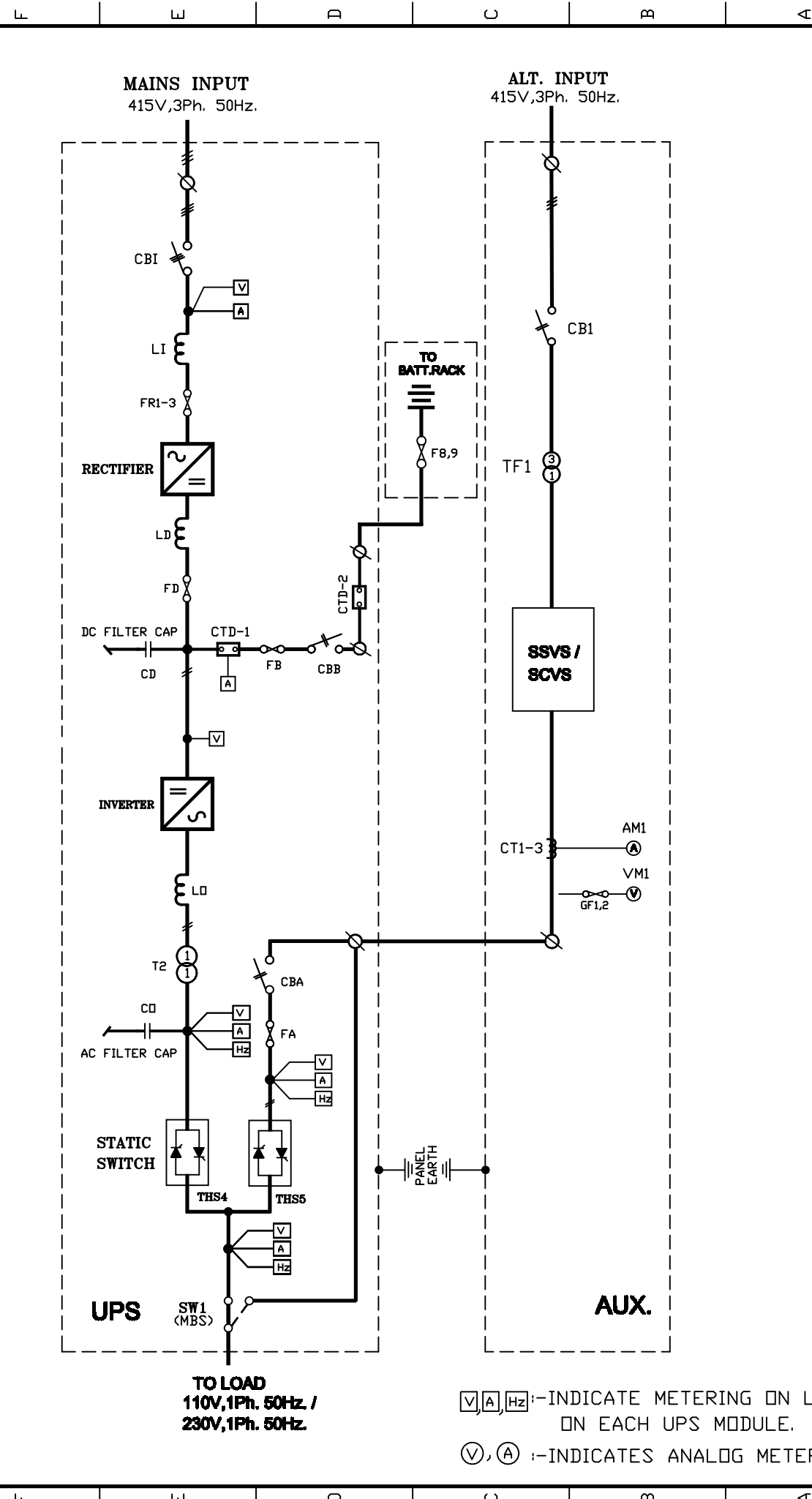


1
2
3
4
5
6
7
8



TO LOAD
110V, 1Ph, 50Hz /
230V, 1Ph, 50Hz.

V, A, Hz :- INDICATE METERING ON LCD ON EACH UPS MODULE.
V, A :- INDICATES ANALOG METERING.

REV. RECD	DESCRIPTION	DATE	APPRD.	DRN.	APPRD.	TITLE:- SINGLE LINE DIAGRAM FOR UPS SYSTEM (STAND ALONE SYSTEM) < UP TO 40KVA >				REV.	DIR. REF. :- ENGG2/					
			AJP	JITU	AJP	07	5	C	S	A	L		L	0	0	0
				23.04.07	23.04.07	05	05	05	05	05	05	05	05	05	05	05

HI-REL ELECTRONICS PVT. LTD.
UNIT-2, UPS & POWER CONDITIONING DIVISION

ALL DIMENSIONS IN M.M.

REV. 0

DRG.ND. 075CSALL00

SHEET-05 OF 05

REV. RECD